



SAMPLES **SQUARES**

SQUARE **WITH BASE**

SQUARE **WITHOUT BASE**



HIGH **QUALITY**

MADE IN **GERMANY**

Manufactured according to **DIN 875**

Highest precision:
Accuracy **grade 0**

Blade length up to **2 meters**
(Accuracy grade 2)

Made from **special** or **stainless** steel

More **highlights** from our range of **squares**



ACUTE ANGLE
SQUARES



MITRE SQUARES



BEVEL
PROTRACTORS

5. CHAPTER SQUARES, PROTRACTORS AND BEVEL PROTRACTORS

198	Squares with / without base
202	Steel squares
203	Squares with hard and slim blade
205	Knife edge squares
206	Inspection set
207	Centre squares / Flange squares
208	Mitre / Acute angle squares
210	Squares for specific measuring tasks and target groups
212	Wooden cases
213	Protractors
216	Universal bevel protractors





0368 Squares with base accuracy grade 0



Model

- DIN 875
- Accuracy grade 0
- For exact angle testing (for example: tool making)

Delivery

- Cardboard box
- From blade length 1000 mm in a transportation box

✂	☞	Length of beams mm	Cross-section mm	Order no.	List price EUR
Special steel					
		75 x 50	15 x 5	0368 102	15.40
		100 x 70	20 x 5	0368 103	17.90
		150 x 100	25 x 5	0368 104	27.10
		200 x 130	30 x 6	0368 105	34.70
		250 x 165	35 x 7	0368 106	50.00
		300 x 200	40 x 8	0368 107	68.00
		400 x 265	45 x 10	0368 108	148.00
		500 x 330	50 x 10	0368 109	216.00
		600 x 400	50 x 10	0368 110	309.00
		750 x 500	60 x 12	0368 111	528.00
	▪	1000 x 660	70 x 15	0368 112	947.00
Stainless steel					
		75 x 50	15 x 5	0368 202	23.00
		100 x 70	20 x 5	0368 203	24.80
		150 x 100	25 x 5	0368 204	42.60
		200 x 130	30 x 6	0368 205	61.00
		250 x 165	35 x 7	0368 206	89.00
		300 x 200	40 x 8	0368 207	100.00
		400 x 265	45 x 10	0368 208	187.00
		500 x 330	50 x 10	0368 209	259.00
		600 x 400	50 x 10	0368 210	385.00
		750 x 500	60 x 12	0368 211	661.00
	▪	1000 x 660	70 x 15	0368 212	1403.00

DIN
875

0369 Squares without base accuracy grade 0



Model

- DIN 875
- Accuracy grade 0
- For exact angle testing (for example: tool making)

Delivery

- Cardboard box
- From blade length 1000 mm in a transportation box

✂	☞	Length of beams mm	Cross-section mm	Order no.	List price EUR
Special steel					
		75 x 50	15 x 5	0369 102	10.10
		100 x 70	20 x 5	0369 103	11.30
		150 x 100	25 x 5	0369 104	13.90
		200 x 130	30 x 6	0369 105	23.00
		250 x 165	35 x 7	0369 106	31.80
		300 x 200	40 x 8	0369 107	40.80
		400 x 265	45 x 10	0369 108	100.00
		500 x 330	50 x 10	0369 109	123.00
		600 x 400	50 x 10	0369 110	243.00
		750 x 500	60 x 12	0369 111	451.00
	▪	1000 x 660	70 x 15	0369 112	804.00
Stainless steel					
		75 x 50	15 x 5	0369 202	16.70
		100 x 70	20 x 5	0369 203	18.30
		150 x 100	25 x 5	0369 204	24.30
		200 x 130	30 x 6	0369 205	36.80
		250 x 165	35 x 7	0369 206	48.90
		300 x 200	40 x 8	0369 207	68.00
		400 x 265	45 x 10	0369 208	130.00
		500 x 330	50 x 10	0369 209	180.00
		600 x 400	50 x 10	0369 210	302.00
		750 x 500	60 x 12	0369 211	564.00
	▪	1000 x 660	70 x 15	0369 212	1059.00

DIN
875



0385 Inspection squares with base accuracy grade 0, hardened



Model

- DIN 875
- Accuracy grade 0
- For exact angle testing (for example: tool making)

Delivery

- Cardboard box

**DIN
875**

»	¼	Length of beams mm	Cross-section mm	Order no.	List price EUR
Special steel					
		50 x 40	15 x 4	0385 102	24.30
		75 x 50	15 x 4	0385 103	25.90
		100 x 70	20 x 5	0385 104	31.00
		150 x 100	25 x 6	0385 105	46.30
		200 x 130	30 x 7	0385 106	64.00
		300 x 200	40 x 8	0385 108	112.00
Stainless steel					
		50 x 40	15 x 4	0385 202	33.70
		75 x 50	15 x 4	0385 203	37.40
		100 x 70	20 x 5	0385 204	46.30
		150 x 100	25 x 6	0385 205	61.00
		200 x 130	30 x 7	0385 206	79.00
		300 x 200	40 x 8	0385 208	116.00

0386 Inspection squares without base accuracy grade 0, hardened



Model

- DIN 875
- Accuracy grade 0
- For exact angle testing (for example: tool making)

Delivery

- Cardboard box

**DIN
875**

5

»	¼	Length of beams mm	Cross-section mm	Order no.	List price EUR
Special steel					
		50 x 40	15 x 4	0386 102	18.30
		75 x 50	15 x 4	0386 103	19.70
		100 x 70	20 x 5	0386 104	24.10
		150 x 100	25 x 6	0386 105	29.80
		200 x 130	30 x 7	0386 106	38.50
		300 x 200	40 x 8	0386 108	74.00
Stainless steel					
		50 x 40	15 x 4	0386 202	23.20
		75 x 50	15 x 4	0386 203	26.30
		100 x 70	20 x 5	0386 204	31.00
		150 x 100	25 x 6	0386 205	40.20
		200 x 130	30 x 7	0386 206	52.00
		300 x 200	40 x 8	0386 208	103.00



0370 Squares with base accuracy grade 1



Model

- DIN 875
- Accuracy grade 1
- For angle testing in production and factory

Delivery

- Cardboard box
- From blade length 1000 mm in a transportation box

☒	☒	Length of beams mm	Cross-section mm	Order no.	List price EUR
Special steel					
		75 x 50	15 x 5	0370 102	9.80
		100 x 70	20 x 5	0370 103	10.90
		150 x 100	25 x 5	0370 104	11.10
		200 x 130	30 x 6	0370 105	18.10
		250 x 165	35 x 7	0370 106	24.10
		300 x 200	40 x 8	0370 107	29.40
		400 x 265	45 x 10	0370 108	80.00
		500 x 330	50 x 10	0370 109	117.00
		600 x 400	50 x 10	0370 110	164.00
		750 x 500	60 x 12	0370 111	367.00
	▪	1000 x 660	70 x 15	0370 112	621.00
Stainless steel					
		75 x 50	15 x 5	0370 202	13.50
		100 x 70	20 x 5	0370 203	16.40
		150 x 100	25 x 5	0370 204	22.40
		200 x 130	30 x 6	0370 205	29.80
		250 x 165	35 x 7	0370 206	44.80
		300 x 200	40 x 8	0370 207	54.00
		400 x 265	45 x 10	0370 208	161.00
		500 x 330	50 x 10	0370 209	198.00
		600 x 400	50 x 10	0370 210	336.00
		750 x 500	60 x 12	0370 211	520.00
	▪	1000 x 660	70 x 15	0370 212	841.00

**DIN
875**

0371 Squares without base accuracy grade 1



Model

- DIN 875
- Accuracy grade 1
- For angle testing in production and factory

Delivery

- Cardboard box
- From blade length 1000 mm in a transportation box

☒	☒	Length of beams mm	Cross-section mm	Order no.	List price EUR
Special steel					
		75 x 50	15 x 5	0371 102	7.40
		100 x 70	20 x 5	0371 103	7.80
		150 x 100	25 x 5	0371 104	9.40
		200 x 130	30 x 6	0371 105	12.80
		250 x 165	35 x 7	0371 106	19.40
		300 x 200	40 x 8	0371 107	23.00
		400 x 265	45 x 10	0371 108	58.00
		500 x 330	50 x 10	0371 109	82.00
		600 x 400	50 x 10	0371 110	113.00
		750 x 500	60 x 12	0371 111	250.00
	▪	1000 x 660	70 x 15	0371 112	429.00
Stainless steel					
		75 x 50	15 x 5	0371 202	9.00
		100 x 70	20 x 5	0371 203	10.90
		150 x 100	25 x 5	0371 204	15.40
		200 x 130	30 x 6	0371 205	21.30
		250 x 165	35 x 7	0371 206	31.00
		300 x 200	40 x 8	0371 207	37.80
		400 x 265	45 x 10	0371 208	125.00
		500 x 330	50 x 10	0371 209	156.00
		600 x 400	50 x 10	0371 210	258.00
		750 x 500	60 x 12	0371 211	473.00
	▪	1000 x 660	70 x 15	0371 212	763.00

**DIN
875**



0372 Squares with base accuracy grade 2



Model

- Special steel
- DIN 875
- Accuracy grade 2
- For angle testing in production and factory

Delivery

- Cardboard box
- From blade length 1500 mm in a transportation box

**DIN
875**

✂	☞	Length of beams mm	Cross-section mm	Order no.	List price EUR
		75 x 50	15 x 5	0372 102	7.60
		100 x 70	20 x 5	0372 103	8.50
		150 x 100	25 x 5	0372 104	11.10
		200 x 130	30 x 6	0372 105	14.20
		250 x 165	35 x 7	0372 106	19.30
		300 x 175	35 x 7	0372 107	24.30
		400 x 200	35 x 7	0372 108	40.80
		500 x 250	40 x 8	0372 109	54.00
		600 x 300	40 x 8	0372 110	73.00
		750 x 375	45 x 10	0372 111	92.00
		1000 x 500	50 x 10	0372 112	127.00
	▪	1500 x 750	60 x 12	0372 113	455.00
	▪	2000 x 1000	60 x 12	0372 114	732.00

0373 Squares without base accuracy grade 2



Model

- Special steel
- DIN 875
- Accuracy grade 2
- For angle testing in production and factory

Delivery

- Cardboard box
- From blade length 1500 mm in a transportation box

**DIN
875**

5

✂	☞	Length of beams mm	Cross-section mm	Order no.	List price EUR
		75 x 50	15 x 5	0373 102	5.40
		100 x 70	20 x 5	0373 103	6.20
		150 x 100	25 x 5	0373 104	8.50
		200 x 130	30 x 6	0373 105	10.30
		250 x 165	35 x 7	0373 106	14.20
		300 x 175	35 x 7	0373 107	18.20
		400 x 200	35 x 7	0373 108	27.40
		500 x 250	40 x 8	0373 109	40.10
		600 x 300	40 x 8	0373 110	54.00
		750 x 375	45 x 10	0373 111	72.00
		1000 x 500	50 x 10	0373 112	105.00
	▪	1500 x 750	60 x 12	0373 113	349.00
	▪	2000 x 1000	60 x 12	0373 114	644.00



0374 Steel squares with base



Model

- Special steel, zinc coated
- Factory standard
- Simple design for angle test in steel and metal construction

Delivery

- Cardboard box
- From blade length 1500 mm in a transportation box

✂	☞	Length of beams mm	Cross-section mm	Order no.	List price EUR
		100 x 70	20 x 5	0374 404	6.30
		150 x 100	20 x 5	0374 408	7.10
		200 x 130	20 x 5	0374 410	8.60
		250 x 160	25 x 5	0374 412	10.50
		300 x 180	25 x 5	0374 414	12.70
		400 x 230	30 x 5	0374 416	16.00
		500 x 280	30 x 5	0374 418	21.40
		600 x 330	30 x 5	0374 420	28.80
		750 x 375	30 x 5	0374 424	34.20
		1000 x 500	30 x 5	0374 428	52.00
	▪	1500 x 750	40 x 5	0374 430	181.00
	▪	2000 x 1000	40 x 5	0374 432	267.00

*polished

0375 Steel squares without base



Model

- Special steel, zinc coated
- Factory standard
- Simple design for angle test in steel and metal construction

Delivery

- Cardboard box
- From blade length 1500 mm in a transportation box

✂	☞	Length of beams mm	Cross-section mm	Order no.	List price EUR
		100 x 70	20 x 5	0375 404	5.10
		150 x 100	20 x 5	0375 408	5.30
		200 x 130	20 x 5	0375 410	5.70
		250 x 160	25 x 5	0375 412	6.90
		300 x 180	25 x 5	0375 414	7.60
		400 x 230	30 x 5	0375 416	10.40
		500 x 280	30 x 5	0375 418	11.50
		600 x 330	30 x 5	0375 420	14.10
		750 x 375	30 x 5	0375 424	16.80
		1000 x 500	30 x 5	0375 428	21.70
	▪	1500 x 750	40 x 5	0375 430	85.00
	▪	2000 x 1000	40 x 5	0375 432	128.00

*polished



0376 Squares with hard and slim blade, accuracy grade 1



Model

Delivery

**DIN
875**

- Special steel
- DIN 875
- Accuracy grade 1
- For angle testing in production and factory

- Cardboard box



✕	☞	Length of beams mm	Cross section with wide beam mm	Cross section with narrow beam mm	Order no.	List price EUR
		75 x 50	14 x 10	14 x 3	0376 102	11.80
		100 x 70	16 x 10	16 x 3	0376 103	12.60
		150 x 100	20 x 12	22 x 3	0376 104	15.80
		200 x 130	24 x 14	24 x 3	0376 105	26.00

0376 Squares with hard and slim blade, accuracy grade 2



Model

Delivery

**DIN
875**

- Special steel
- DIN 875
- Accuracy grade 2
- For angle testing in production and factory

- Cardboard box



✕	☞	Length of beams mm	Cross section with wide beam mm	Cross section with narrow beam mm	Order no.	List price EUR
		75 x 50	14 x 10	14 x 2	0376 112	11.00
		100 x 70	16 x 10	18 x 2	0376 113	11.70
		150 x 100	20 x 12	22 x 3	0376 114	14.20
		200 x 130	24 x 14	24 x 3	0376 115	19.90
		250 x 160	28 x 16	28 x 3	0376 116	24.60
		300 x 175	32 x 18	30 x 3	0376 117	29.30



0390 Squares with hard and slim blade, hardened, accuracy grade 0



Model

- DIN 875
- Accuracy grade 0
- For exact angle testing (for example: tool making)

Delivery

- Cardboard box

DIN
875



▶	🏠	Length of beams mm	Cross section with wide beam mm	Cross section with narrow beam mm	Order no.	List price EUR
Special steel						
		50 x 40	14 x 10	16 x 2	0390 102	34.70
		75 x 50	14 x 10	18 x 2	0390 103	34.70
		100 x 70	16 x 10	18 x 2	0390 104	40.20
		150 x 100	20 x 12	22 x 3	0390 105	51.00
		200 x 130	24 x 14	26 x 3	0390 106	69.00
		300 x 200	30 x 18	32 x 3	0390 108	116.00
Stainless steel						
		50 x 40	14 x 10	16 x 2	0390 202	46.00
		75 x 50	14 x 10	18 x 2	0390 203	52.00
		100 x 70	16 x 10	18 x 2	0390 204	66.00
		150 x 100	20 x 12	22 x 3	0390 205	85.00
		200 x 130	24 x 14	26 x 3	0390 206	107.00
		300 x 200	30 x 18	32 x 3	0390 208	164.00

0391 Knife edge squares with hard and slim blade, hardened, accuracy grade 00



Model

- With knife edge
- DIN 875
- Accuracy grade 00
- For exact flatness testing (for example: in production)

Delivery

- Cardboard box

DIN
875



▶	🏠	Length of beams mm	Cross section with wide beam mm	Cross section with narrow beam mm	Order no.	List price EUR
Special steel, non-glare knife edge						
		50 x 40	14 x 10	16 x 2	0391 102	54.00
		75 x 50	14 x 10	18 x 2	0391 103	54.00
		100 x 70	16 x 10	18 x 2	0391 104	70.00
		150 x 100	20 x 12	22 x 3	0391 105	88.00
		200 x 130	24 x 14	26 x 3	0391 106	119.00
		300 x 200	30 x 18	32 x 3	0391 108	174.00
Stainless steel						
		50 x 40	14 x 10	16 x 2	0391 202	64.00
		75 x 50	14 x 10	18 x 2	0391 203	72.00
		100 x 70	16 x 10	18 x 2	0391 204	82.00
		150 x 100	20 x 12	22 x 3	0391 205	105.00
		200 x 130	24 x 14	26 x 3	0391 206	134.00
		300 x 200	30 x 18	32 x 3	0391 208	218.00



0388 Knife edge squares, hardened, accuracy grade 00



Model

- DIN 875
- Accuracy grade 00
- For exact angle and flatness testing (for example: tool making)

Delivery

- Cardboard box

**DIN
875**

»	¼	Length of beams mm	Cross-section mm	Order no. mm	List price EUR
Special steel, non-glare knife edge					
		50 x 40	14 x 4	0388 102	19.40
		75 x 50	15 x 4	0388 103	23.00
		100 x 70	20 x 5	0388 104	27.50
		150 x 100	25 x 6	0388 105	37.00
		200 x 130	30 x 7	0388 106	52.00
		300 x 200	40 x 8	0388 108	90.00
Stainless steel					
		50 x 40	14 x 4	0388 202	23.00
		75 x 50	15 x 4	0388 203	27.10
		100 x 70	20 x 5	0388 204	32.60
		150 x 100	25 x 6	0388 205	42.10
		200 x 130	30 x 7	0388 206	62.00
		300 x 200	40 x 8	0388 208	136.00
		500 x 330	40 x 10	0388 210	649.00

0394 Knife edge squares



Model

- **0394101**
- Reading parts are satin chrome finished
- Sliding knife 7 x 7 x 60 mm
- Angle $\pm 5^\circ$
- Handle 40 x 23 x 9 mm
- For testing on short edges and grooves through the sliding knife edge

Delivery

- **0394110**
- Wooden case
- Reading parts are satin chrome finished
- Sliding knife edge 7 x 7 x 60 mm
- Handle 40 x 23 x 9 mm
- For tests at short grooves through the sliding straight edge

»	¼	Base dimensions mm	Cross-section mm	Order no.	List price EUR
		60 x 35 x 13	7 x 7 x 100	0394 101	203.00
		40 x 23 x 9	7 x 7 x 60	0394 110	82.00

Accessories	Order no.	Listenpreis EUR
Replacement rule for 0394	0394 104	36.80



0387 Knife edge squares



Model

- Stainless steel
- DIN 875
- Accuracy grade 00
- Angle 90°
- Knife edge on the inside

Delivery

- Cardboard box

**DIN
875**

✕	📏	Length of beams mm	Cross section with narrow beam mm	Cross section with wide beam mm	Order no.	List price EUR
		25 x 20	5 x 3.5	6 x 3.5	0387 200	17.20
		40 x 28	5 x 3.5	8 x 3.5	0387 201	17.20

0387 Inspection square set



Model

- Knife edge squares 0387 200 and 0387 201
- Wooden case

✕	📏	Order no.	List price EUR
		0387 204	40.20

0397 5 piece inspection set



Model

set consisting of:

- Knife edge square, stainless steel 75 x 50 mm
- Knife edge square, stainless steel 40 x 28 mm
- Knife edge square, stainless steel 25 x 20 mm
- Knife edge rule, special steel 100 mm
- Gauge block scriber 60 x 9 x 9 mm

Delivery

- Wooden case

✕	📏	Order no.	List price EUR
		0397 101	177.00



0380 Centre squares



Model

- Special steel
- Factory standard
- With mm graduated scale
- Scale has a satin chrome finish

Delivery

- Cardboard box

	Length of beams mm	For shaft dia. to mm	Order no.	List price EUR
Special steel				
	400 x 250	380.0	0380 108	251.00
	500 x 330	530.0	0380 109	447.00
Special steel, chrome finished				
	100 x 70	90.0	0380 103	55.00
	150 x 130	190.0	0380 104	65.00
	200 x 150	220.0	0380 105	82.00
	250 x 160	230.0	0380 106	90.00
	300 x 180	280.0	0380 107	98.00

0396 Flange squares



Model

- Special steel, zinc coated
- Factory standard
- For accurately aligning flanges e.g. in plumbing and sanitary works in pipeline

Delivery

- Cardboard box
- From blade length 600 mm in transportation box

		Length of beams mm	Cross-section mm	Order no.	List price EUR
		300 x 300	30 x 5	0396 414	14.80
		400 x 400	30 x 5	0396 416	17.60
		500 x 500	30 x 5	0396 418	20.80
	▪	600 x 600	30 x 5	0396 420	26.00
	▪	800 x 800	30 x 5	0396 426	31.20



0395 Mitre squares 120°



Model

- Special steel
- Factory standard

Delivery

- Cardboard box

▶	✂	Length of beams mm	Cross-section mm	Order no.	List price EUR
Flat, without base					
		50 x 50	15 x 5	0395 132	8.30
		75 x 75	18 x 5	0395 133	10.60
		100 x 100	20 x 5	0395 134	12.80

0395 Mitre squares 135°



Model

- Special steel
- Factory standard

Delivery

- Cardboard box

▶	✂	Length of beams mm	Cross-section mm	Order no.	List price EUR
With base					
		120 x 80	20 x 5	0395 142	18.30
		150 x 100	20 x 5	0395 143	20.70
		200 x 130	25 x 5	0395 144	27.10
Flat, without base					
		50 x 50	15 x 5	0395 136	8.30
		75 x 75	18 x 5	0395 137	10.60
		100 x 100	20 x 5	0395 138	12.80
		120 x 80	20 x 5	0395 146	13.50
		150 x 100	20 x 5	0395 147	18.30
		200 x 130	25 x 5	0395 148	24.80



0395 Acute angle squares 60°



Model

- Special steel
- Factory standard

Delivery

- Cardboard box

✕	¼	Length of beams mm	Cross-section mm	Order no.	List price EUR
With base					
		120 x 80	20 x 5	0395 122	25.40
		150 x 100	20 x 5	0395 123	29.10
		200 x 130	25 x 5	0395 124	39.00
Flat, without base					
		120 x 80	20 x 5	0395 126	18.20
		150 x 100	20 x 5	0395 127	20.30
		200 x 130	25 x 5	0395 128	28.60

0395 Acute angle squares 45°



Model

- Special steel
- Factory standard

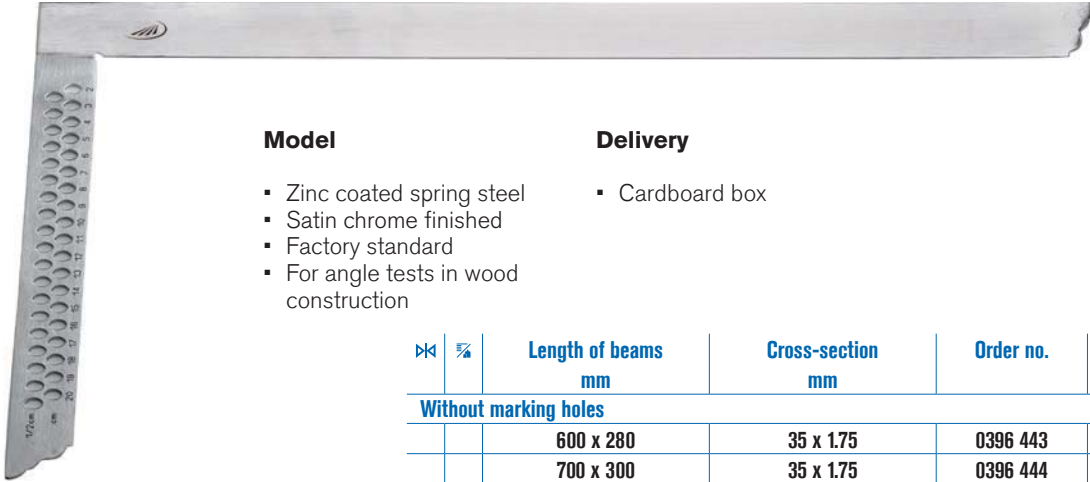
Delivery

- Cardboard box

✕	¼	Length of beams mm	Cross-section mm	Order no.	List price EUR
With base					
		120 x 80	20 x 5	0395 102	26.90
		130 x 100	20 x 5	0395 103	29.80
		200 x 130	25 x 5	0395 104	40.20
Flat, without base					
		120 x 80	20 x 5	0395 106	18.90
		150 x 100	20 x 5	0395 107	20.70
		200 x 130	25 x 5	0395 108	29.80



0396 Carpenters squares



Model

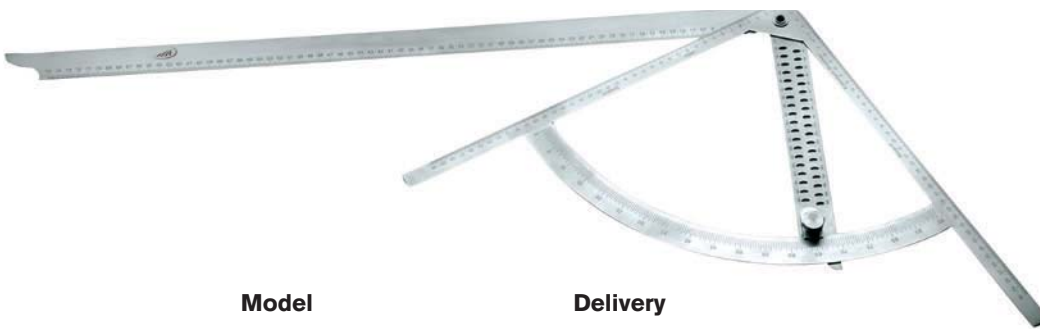
- Zinc coated spring steel
- Satin chrome finished
- Factory standard
- For angle tests in wood construction

Delivery

- Cardboard box

✕	☒	Length of beams mm	Cross-section mm	Order no.	List price EUR
Without marking holes					
		600 x 280	35 x 1.75	0396 443	10.10
		700 x 300	35 x 1.75	0396 444	11.90
		800 x 320	35 x 1.75	0396 445	12.90
		1000 x 380	35 x 1.75	0396 446	16.60
With marking holes					
		600 x 280	35 x 1.75	0396 453	12.70
		700 x 300	35 x 1.75	0396 454	14.30
		800 x 320	35 x 1.75	0396 455	15.90
		1000 x 380	35 x 1.75	0396 456	19.50

0396 Alpha squares with marking holes



Model

- Stainless steel
- Long blade with mm graduation, short blade used as adjustable protractor and for marking and production of wood joints 0°-90°

Delivery

- Cardboard box

✕	☒	Length of beams mm	Cross-section mm	Order no.	List price EUR
		430 x 795	35	0396 290	92.00



0396 Joiner squares with mitre



Model

- Aluminium
- mm graduation

Delivery

- Cardboard box

	Length of beams mm	Cross section with narrow beam mm	Cross section with wide beam mm	Order no.	List price EUR
	250 x 148	40 x 14	50 x 5	0396 982	11.40
	300 x 164	40 x 14	50 x 5	0396 983	13.50
	400 x 195	40 x 14	50 x 5	0396 984	16.10

0396 Adjustable square



Model

- Special steel, zinc coated
- Satin chrome finished
- Screw hinge
- For transferring, marking and setting of individual angles

Delivery

- Cardboard box

	Length of beams mm	Cross-section mm	Order no.	List price EUR
	200	20 x 8	0396 432	9.40
	250	25 x 8	0396 433	11.60
	300	25 x 8	0396 434	14.20
	400	25 x 8	0396 435	18.20
	500	25 x 8	0396 436	20.30



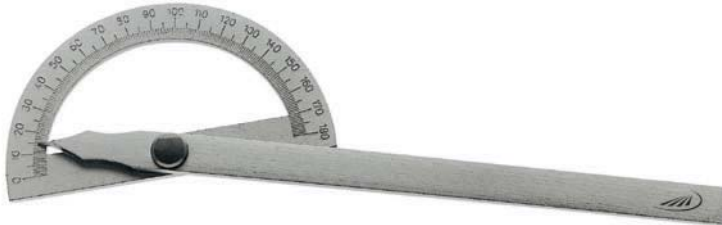
0003 Wooden cases for squares



☒	☒	Length of beams mm	Internal dimensions L x W x H mm	Order no.	List price EUR
For squares with base					
		150 x 100	160 x 105 x 27	0003 284	6.50
		200 x 130	210 x 135 x 34	0003 286	8.60
		250 x 165	260 x 170 x 38	0003 288	18.50
		300 x 200	312 x 205 x 42	0003 290	18.50
		400 x 265	412 x 270 x 48	0003 292	35.30
		500 x 330	512 x 335 x 54	0003 294	39.80
For flat type squares					
		150 x 100	160 x 105 x 22	0003 283	5.90
		200 x 130	210 x 135 x 27	0003 285	7.40
		250 x 165	260 x 170 x 27	0003 287	8.20
		300 x 200	312 x 205 x 27	0003 289	11.10
		400 x 265	412 x 270 x 27	0003 291	32.00
		500 x 330	512 x 335 x 27	0003 293	35.60
For squares with and without base					
		50 x 40	55 x 45 x 22	0003 280	4.10
		75 x 50	80 x 55 x 22	0003 281	4.50
		100 x 70	105 x 75 x 22	0003 282	4.70



0410 Protractors



Model

- With rivetted hinge
- Special steel, satin chrome finished
- Factory standard
- 0 - 180°

Delivery

- Cardboard box

		Length of beams	Graduated arc dia.	Order no.	List price
		mm	mm		EUR
		120	80	0410 301	23.90
		150	120	0410 302	30.10
		200	150	0410 303	34.30
		300	200	0410 304	51.00

0411 Protractors



Model

- Locking screw
- High precision, laser graduated degree scale
- Factory standard
- 0 - 180°

Delivery

- Cardboard box

		Length of beams	Graduated arc dia.	Order no.	List price
		mm	mm		EUR
Special steel					
		120	80	0411 101	21.70
		150	120	0411 102	27.10
		200	150	0411 103	34.00
		300	200	0411 104	45.00
		500	300	0411 105	68.00
		600	300	0411 106	79.00
		800	300	0411 107	104.00
		600	400	0411 108	134.00
		800	400	0411 109	142.00
		1000	400	0411 110	148.00
Special steel, satin chrome finished graduated arc					
		120	80	0411 301	24.10
		150	120	0411 302	31.00
		200	150	0411 303	34.50
		300	200	0411 304	49.50
		500	300	0411 305	99.00
		600	300	0411 306	125.00
		800	300	0411 307	135.00
		600	400	0411 308	141.00
		800	400	0411 309	149.00
		1000	400	0411 310	183.00



0412 Protractors



Model

- Locking screw
- Stainless steel
- Factory standard
- 0 - 180°
- High precision, laser graduated degree scale

Delivery

- Cardboard box

☒	☒	Length of beams	Graduated arc dia.	Order no.	List price
		mm	mm		EUR
		120	80	0412 201	34.00
		150	120	0412 202	36.80
		200	150	0412 203	37.80
		300	200	0412 204	53.00

0413 Protractors



0413 301

Model

- Locking screw
- Special steel
- Factory standard
- 0 - 180°
- High precision, laser graduated degree scale
- Graduated in opposite directions
- Satin chrome finished

Delivery

- Cardboard box



0413 302

☒	☒	Base dimensions	Length of beams	Order no.	List price
		mm	mm		EUR
		Ø 85	150	0413 301	22.90
		85 x 50	150	0413 302	23.90



0415 Bevel protractors



Model

- Locking screw
- Special steel, pointer arm is satin chrome finished
- Factory standard
- Adjustable stop bar 10° - 170°
- High precision, laser graduated degree scale

Delivery

- Cardboard box

✂	📏	Length of beams	Graduated arc dia.	Order no.	List price
		mm	mm		EUR
		150	100	0415 301	62.00
		300	150	0415 302	97.00
		400	200	0415 303	131.00
		500	250	0415 304	180.00
		600	300	0415 305	204.00

0416 Bevel protractors with double stop rail



Model

- Locking screw
- Special steel, pointer arm is satin chrome finished
- Factory standard
- Adjustable stop bar 10° - 170°
- High precision, laser graduated degree scale
- Two-way adjustable stop bar

Delivery

- Cardboard box

✂	📏	Length of beams	Graduated arc dia.	Order no.	List price
		mm	mm		EUR
		150	100	0416 301	125.00
		300	150	0416 302	163.00
		400	200	0416 303	211.00
		500	250	0416 304	349.00
		600	300	0416 305	405.00



0422 Universal bevel protractors with magnifying lens



Model

- Locking screw
- Stainless steel
- Factory standard
- Fine adjustment screw
- Parallax-free reading
- Reading parts are satin chrome finished
- Vernier and scale reading 5 minutes
- Hardened beam

Delivery

- Wooden case

Marked	Marked	Measuring range in °	Blade length mm	Order no.	List price EUR
		4 x 90°	150	0422 501	145.00
		4 x 90°	200	0422 502	153.00
		4 x 90°	300	0422 503	161.00
		4 x 90°	500	0422 504	169.00

0425 DIGI-MET® Universal bevel protractors



Model

- Clamping unit
- Stainless steel
- Factory standard
- reversible measuring range:
 - 1 x 360°
 - 2 x 180°
 - 4 x 90°

Functions



- ON / OFF
- Set to zero at any point
- Data output Opto RS 232

Delivery

- Wooden case

- Reversible indication
 - degree and minutes
 - decimal degree

Marked	Marked	Blade length mm	Order no.	List price EUR
		150	0425 701	1130.00
		200	0425 702	1140.00
		300	0425 703	1150.00



Accessories

Accessories	Order no.	List price EUR
Battery, 3V-Lithium, CR 2032	0220 704	3.70
Data cable opto to RS232	0996 701	74.00
Data cable opto to USB	0996 705	141.00

0425 Replacement blades for 0422 / 0425



Marked	Marked	Blade length mm	Order no.	List price EUR
		150	0425 211	27.50
		200	0425 212	31.00
		300	0425 213	34.70
		500	0425 214	48.90



0420 Universal bevel protractors



Model

- Locking screw
- Stainless steel
- Factory standard
- Vernier scale reading 5 minutes

Delivery

- Cardboard box

⊞	⊞	Measuring range in °	Blade length mm	Order no.	List price EUR
		4 x 90 °	150	0420 201	54.00
		4 x 90 °	200	0420 202	58.00
		4 x 90 °	300	0420 203	62.00

Accessories

	Order no.	List price EUR
Replacement magnifying lense	0420 121	15.60
Angle stop for bevel protractors	0420 122	60.00
Prismatic base	0420 124	85.00
Replacement beam 100 mm	0420 206	17.70
Replacement beam 200 mm	0420 207	18.50
Replacement beam 300 mm	0420 208	18.70



0420121



0420122



0420124



0420206

5